



Ziasiot PT220X Series Input Type Level Transmitter



Characteristics

- Accuracy superior to $\pm 0.5\%FS$
- Anti-clogging structure design
- Gauge pressure 0~1mH₂O bar or 0~200mH₂Obar
- Stainless steel encapsulation
- IP65 protection level

Applications

- Wastewater measurement
- Open water container measurement
- Mining well measurement

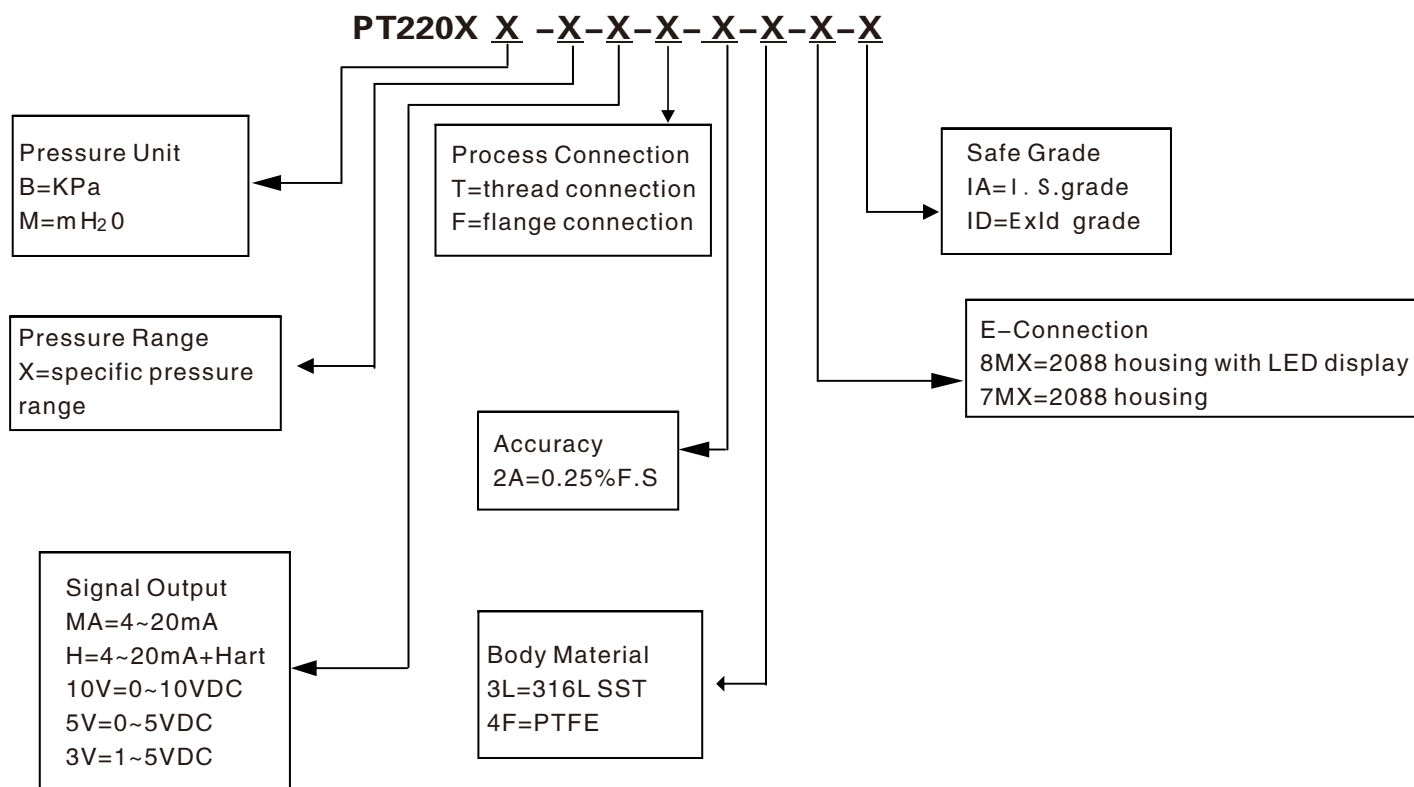
Description

This series of pressure transmitter adopts high performance diffused silicon chip, converting gauge pressure of measured medium into standard signal output of voltage or current by highly reliable amplifying circuit and temperature compensation. It features anti-clogging structure design, superior anti-interfering ability, wide working temperature range, reliable long-term stability, etc.

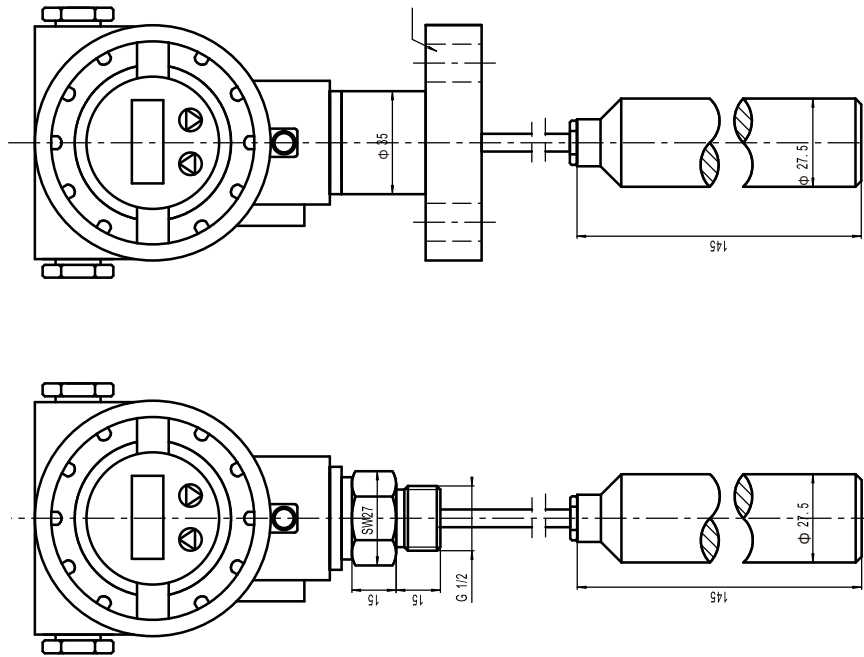
Technical Parameters

Pressure Range	0~1mH ₂ O or 0~ 200mH ₂ O	Overload Pressure	1.5 times rated pressure
Zero&Full Scale Temperature Drift	$\pm 0.03\%FS/^{\circ}C(\leq 100kPa)$; $\pm 0.02\%FS/^{\circ}C(>100kPa)$	Pressure Type	Gauge Pressure
Compatible Medium	all corrosive material compatible to 1Cr18Ni9Ti	Accuracy	$\pm 0.5\%FS$
Electrical Performance	two wire system	Working Temp.	0 $^{\circ}C$ –80 $^{\circ}C$
Signal Output	4–20 mA	Mechanical Shock	100 g/1 msec
Response Time	$\leq 3msec$	Mechanical Vibration	Max20 g(15-2000Hz)
Power Supply	10–30Vdc	Protection Grade	IP68
E-Connection	2088 shell with LED digital display、2088 shell	Load Resistance	(U-10) /0.02 Ω

Ordering Code



Outline Dimension



E-Connection

Lead Wire	2-wire		3-wire	
	cable color		cable color	
	E+	Red	E+	Red
	E-	Brown	S+	Blue
			E-/S-	Black

E: Power Supply

S: Signal Output

